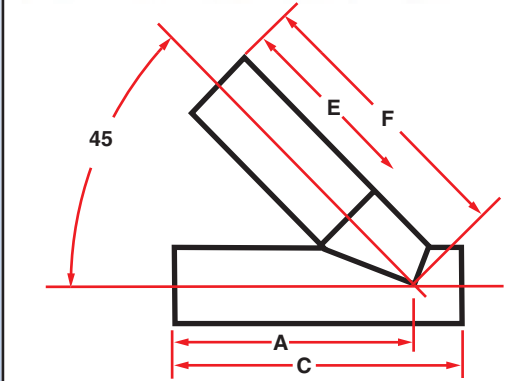




Anchorage - 5326 "A" Street Suite #3 • Anchorage, AK 99518 • (907) 677-9540 Fax (907) 677-9541
 Big Lake - Mile 3.5 South Big Lake Road • Big Lake, AK 99652 • (907) 892-8440 Fax (907) 892-8408

Nominal Size (Inch)	Standard Dimensions Ratio	WPR @ 73.4°F	Dimensions, Inches				Weight Lbs	Fabricated
			A	C	E	F		
2	7	200	18.5	25.0	14.6	17.5	4	
	11	120					2	
3	7	200	17.3	25.0	14.5	18.7	5	
	11	120					4	
	17	75					3	
4	7	200	19.5	26.5	14.1	19.5	12	
	11	120					9	
	17	75					6	
6	7	200	27.6	35.5	19.9	27.9	35	
	11	120					26	
	17	75					18	
8	7	200	30.4	40.2	20.0	30.4	56	
	11	120					49	
	17	75					36	
	26	15					28	
	26	15					28	
10	7	200	33.0	43.2	20.0	35.0	101	
	11	120					81	
	17	75					78	
	26	25					62	
12	7	200	35.4	46.0	20.0	35.4	148	
	11	120					122	
	17	75					95	
	26	48					63	
14	7	200	39.1	50.0	22.0	38.9	196	
	11	120					161	
	17	75					135	
	26	48					120	



WPR = Working Pressure Rating, psig
 Fabricated fittings are not fully pressure rated.
 Call for "Technical Considerations"