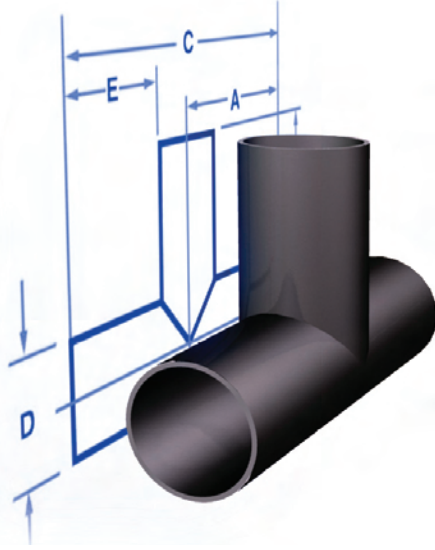
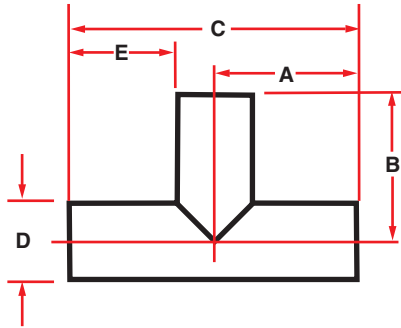




Anchorage - 5326 "A" Street Suite #3 • Anchorage, AK 99518 • (907) 677-9540 Fax (907) 677-9541
 Big Lake - Mile 3.5 South Big Lake Road • Big Lake, AK 99652 • (907) 892-8440 Fax (907) 892-8408

Nominal Size (Inch)	Standard Dimensions Ratio	WPR @ 73.4°F	Dimensions, Inches					Weight Lbs	Fabricated
			D	A	B	C	E		
2	7	200	2.0	8.0	15.0	16.0	6.8	3	 
	11	120						2	
3	7	200	3.0	5.1	5.1	10.3	3.0	2	
	11	120						2	
4	7	200	4.0	8.0	15.0	16.0	5.8	8	
	11	120						6	
6	7	200	6.0	7.4	7.4	14.9	3.0	10	
	11	120						10	
8	17	75						9	
	7	200	8.0	14.0	19.5	28.0	9.7	44	
	11	120						30	
10	17	75						20	
	7	200	10.0	14.0	19.5	28.0	9.7	67	
	11	120						45	
12	17	75						30	
	7	200	12.0	15.0	19.5	30.0	8.6	67	
	11	120						45	
14	17	75						30	
	7	200	14.0	16.0	19.5	32.0	9.0	116	
	11	120						79	
16	17	75						53	
	7	200	16.0	16.0	19.5	32.0	8.0	152	
	11	120						103	
	17	75						69	

WPR = Working Pressure Rating, psig
 Fabricated fittings are not fully pressure rated.
 Call for "Technical Considerations"