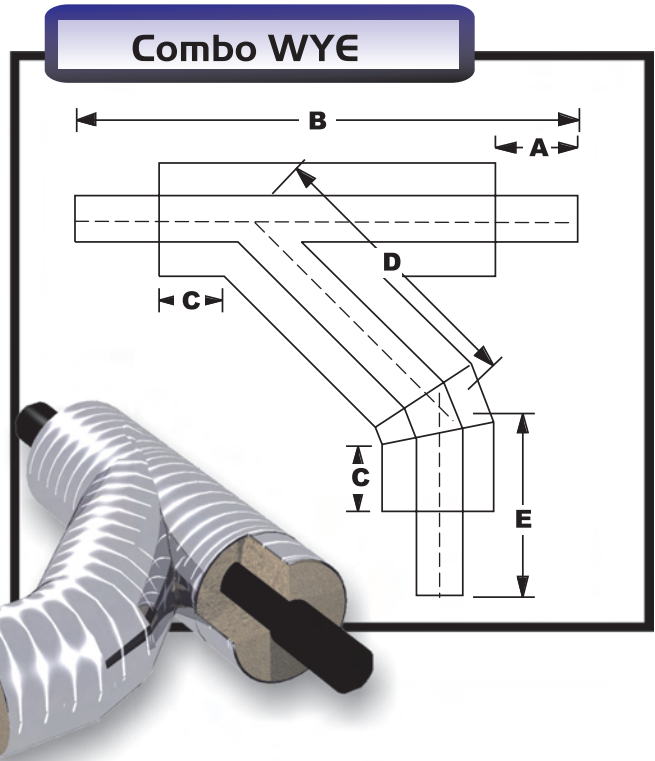
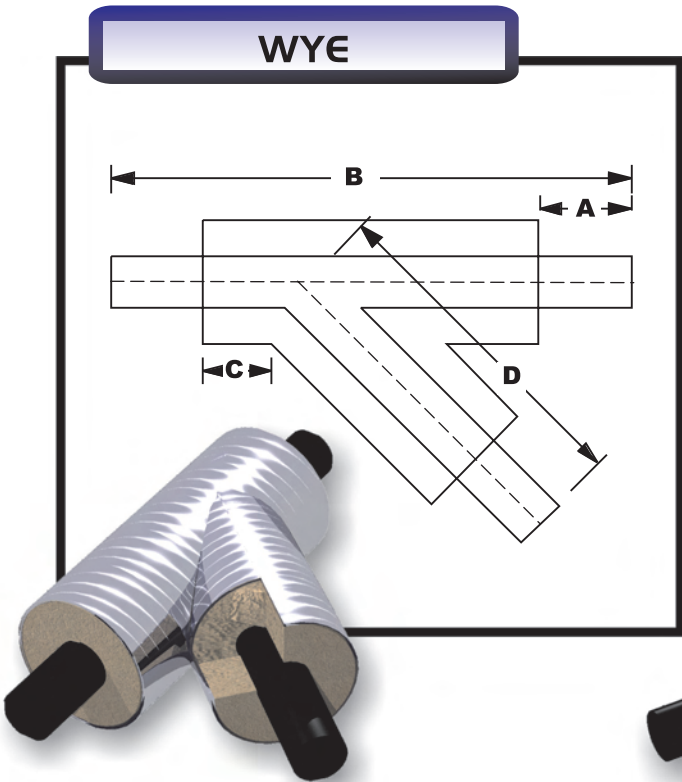




Anchorage - 5326 "A" Street Suite #3 • Anchorage, AK 99518 • (907) 677-9540 Fax (907) 677-9541
Big Lake - Mile 3.5 South Big Lake Road • Big Lake, AK 99652 • (907) 892-8440 Fax (907) 892-8408



▼ Pipe Size
▼ Insulation Thickness
▼ Jacket O.D.

WYE

A	B	C	D	App. Weight
---	---	---	---	-------------

Combo WYE

A	B	C	D	E	App. Weight
---	---	---	---	---	-------------

2"	3"	8.25"	8"	42"	6"	27"	18 lbs.	8"	45"	6"	24"	16.75"	23 lbs.
3"	2"	8.25"	8"	42"	6"	27"	22 lbs.	8"	45"	6"	24"	16.875"	28 lbs.
3"	3"	10.25"	8"	46"	6"	30"	30 lbs.	8"	49"	6"	27"	17"	39 lbs.
4"	2"	8.25"	8"	42"	6"	27"	26 lbs.	8"	45"	6"	24"	17"	33 lbs.
4"	3"	10.25"	8"	46"	6"	30"	34 lbs.	8"	49"	6"	27"	17.125"	42 lbs.
4"	4"	12.75"	8"	49"	6"	32"	42 lbs.	8"	53"	6"	30"	17.375"	52 lbs.
6"	2"	10.25"	8"	46"	6"	30"	50 lbs.	8"	49"	6"	28"	18	63 lbs.
6"	3"	12.75"	8"	49"		32"	59 lbs.	8"	53"	6"	30"	17.625"	74 lbs.
6"	4"	15.75"	8"	53"	6"	36"	75 lbs.	8"	58"	6"	34"	18"	93 lbs.
8"	2"	12.75"	8"	49"		32"	80 lbs.	8"	54"	6"	32"	19.5"	104 lbs.
8"	3"	15.75"	8"	53"	6"	36"	98 lbs.	8"	59"	6"	36"	19.75"	127 lbs.