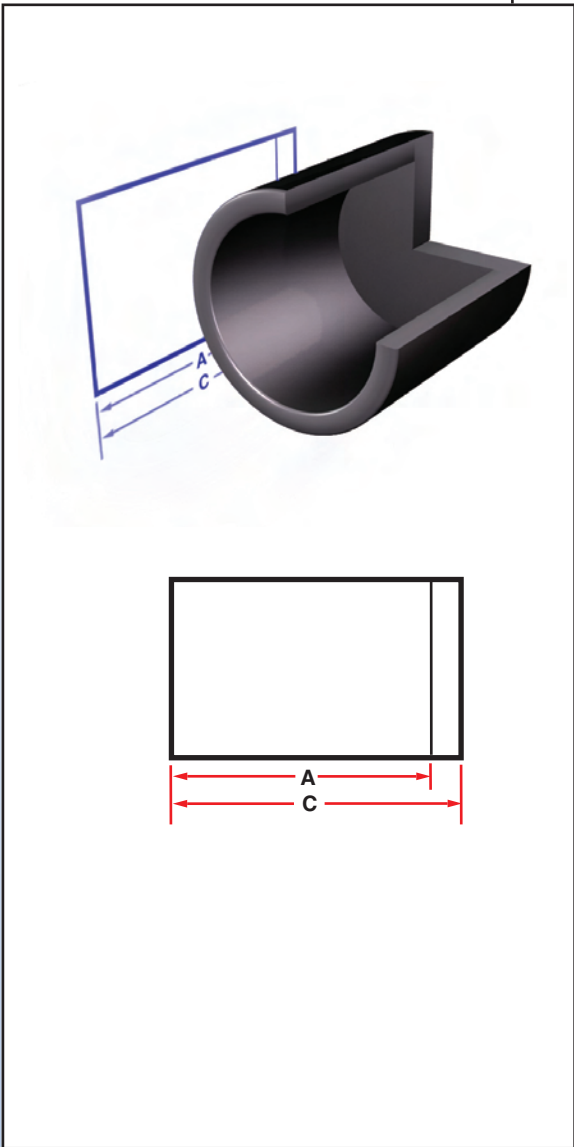




Anchorage - 5326 "A" Street Suite #3 • Anchorage, AK 99518 • (907) 677-9540 Fax (907) 677-9541
 Big Lake - Mile 3.5 South Big Lake Road • Big Lake, AK 99652 • (907) 892-8440 Fax (907) 892-8408

Nominal Size	Standard Dimensions Ratio	WPR @ 73.4°F	Dimensions, Inches		Weight Lbs	Fabricated
			A	L		
2	11	160	5.0	6.0	1	
	17	100				
4	11	160	9.0	10.0	3	
	17	100				
6	26	48	9.0	10.0	3	
	11	160				
	17	100				
8	26	48	9.0	10.0	6	
	11	160				
	17	100				
10	26	48	12.0	13.5	10	
	7	180				
	11	160				
	17	100				
12	26	48	12.0	13.5	20	
	7	180				
	11	160				
	17	100				
14	26	48	12.0	14.0	16	
	7	180				
	11	160				
	17	100				
16	26	48	16.0	14.0	12	
	7	180				
	11	160				
	17	100				
	26	48				



WPR = Working Pressure Rating, psig
 Fabricated fittings are not fully pressure rated.
 Call for "Technical Considerations"